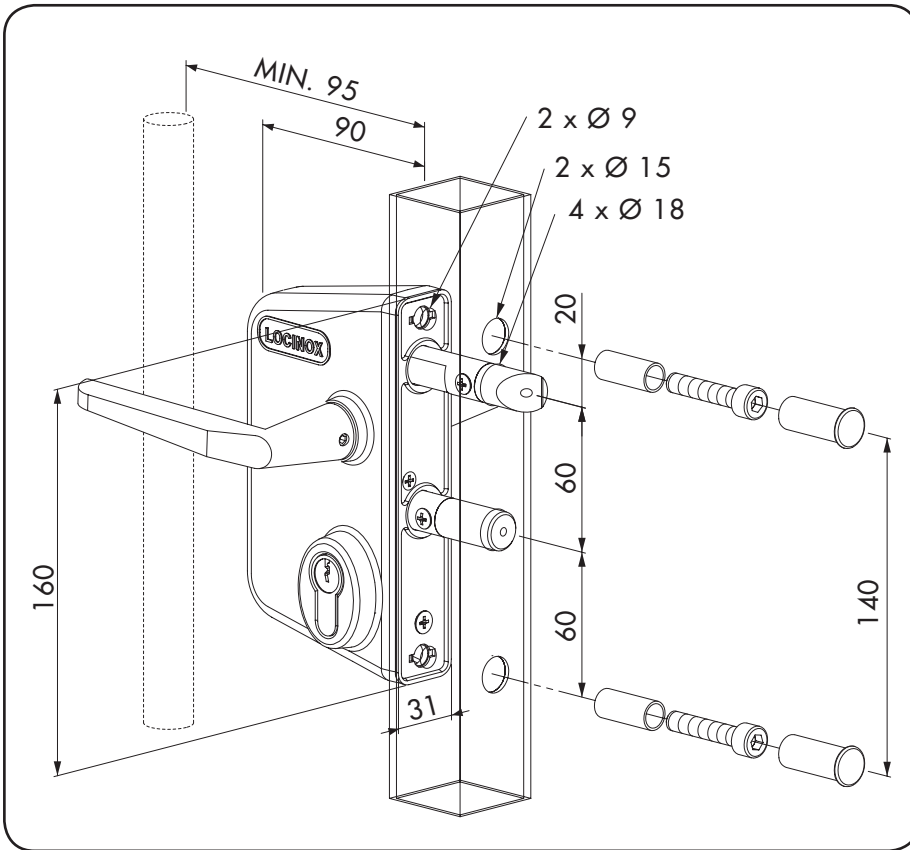
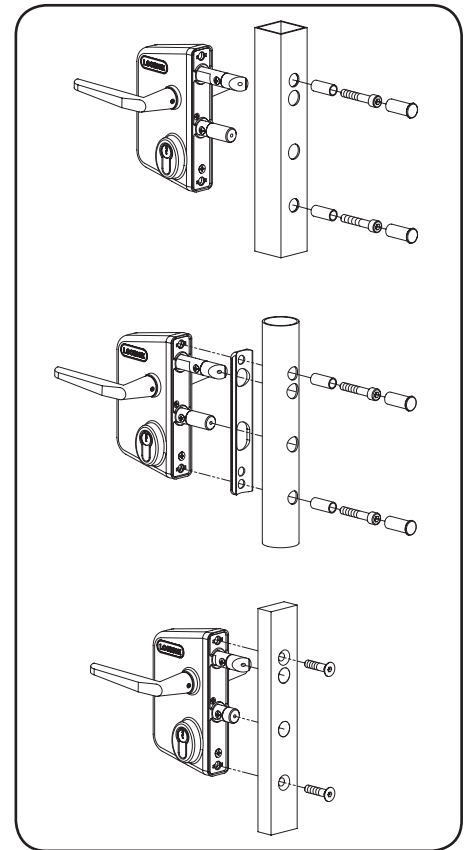


CODE: LAKQ U2

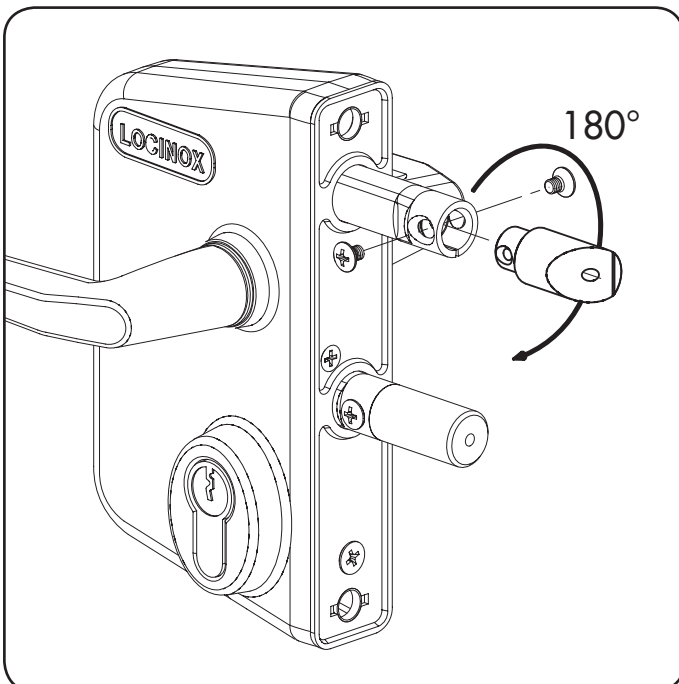
① Explosion & Dimensions



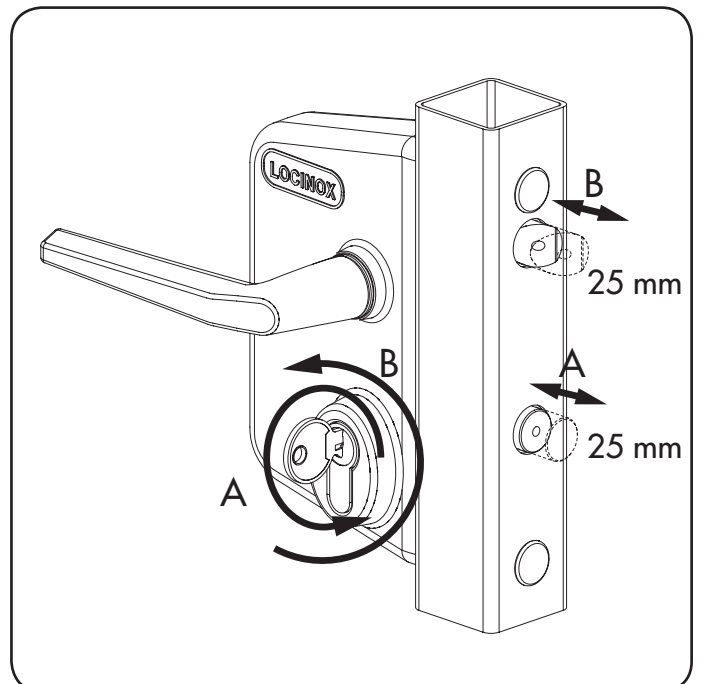
② Profile types



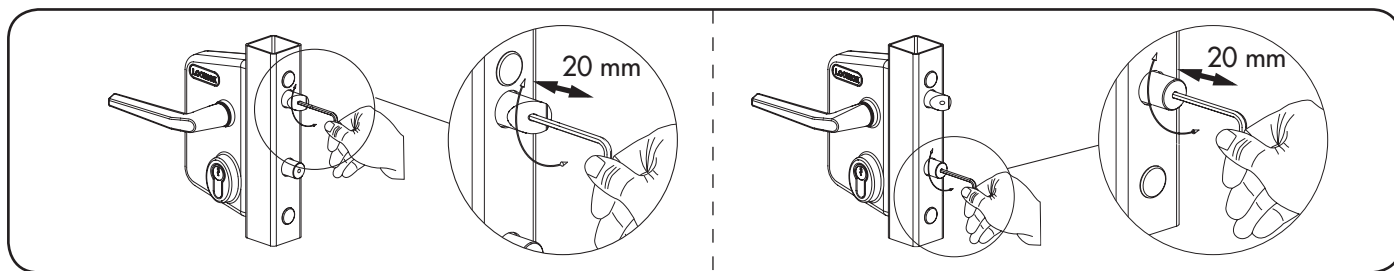
③ Left / Right changing



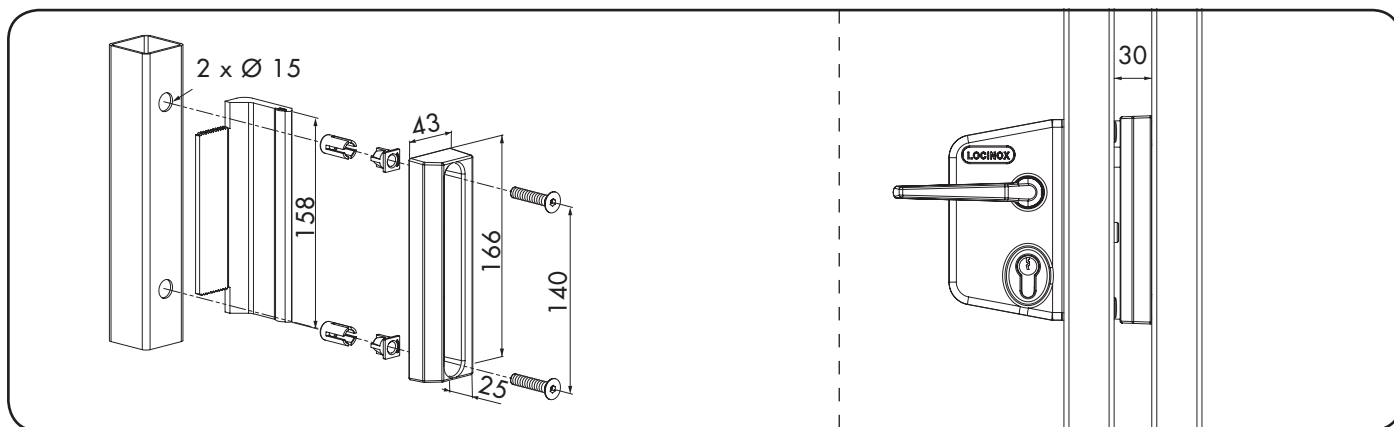
④ Key operated (B) & Throw (A)



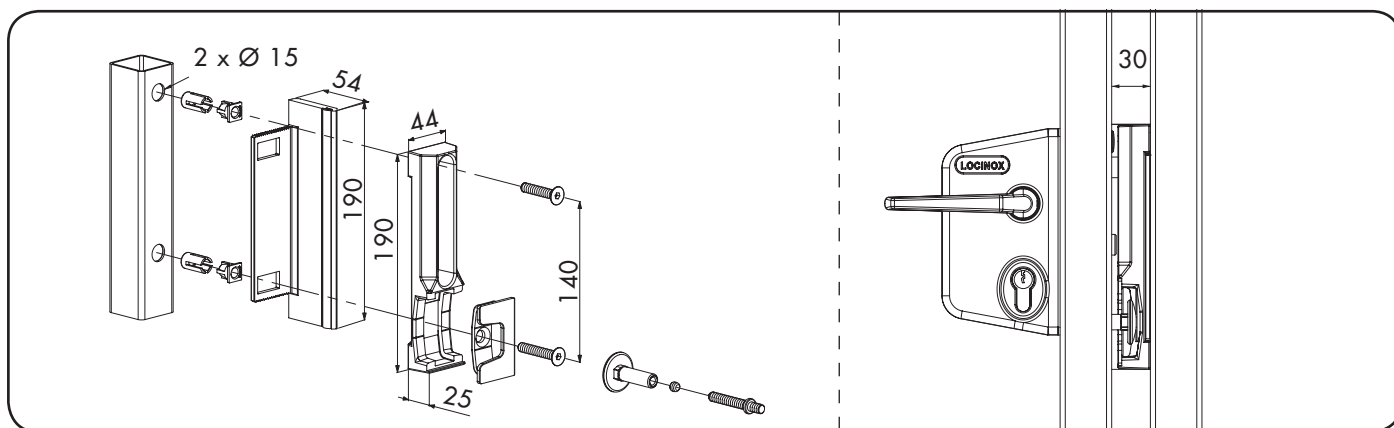
⑤ Throw adjustment: 20 mm



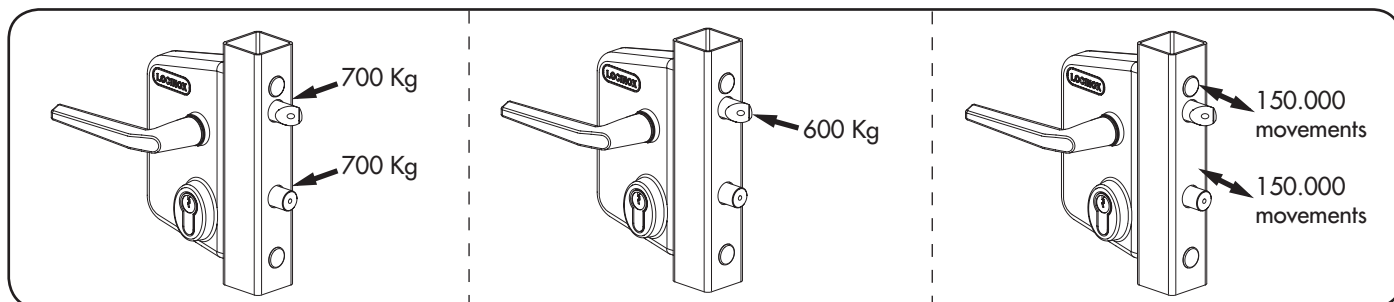
⑥ SAKL QF: Standard industrial keep



⑦ SHKL QF: Industrial security keep



⑧ Durability test results



LOCINOX[®]
WWW.LOCINOX.COM

Doc. Nr.: MANU-000063

Locinox nv • Mannebeekstraat 21 • B-8790 Waregem • Belgium - Europe
Tel. +32 (0)56 77 27 66 • Fax. +32 (0)56 77 69 26 • E-mail: locinox@locinox.com



* M A N U - 0 0 0 0 6 3 *