

Product description

Model with basic equipment. Suitable for fire rated doors.

Also useable as a heavy-duty electric strike.

Overview of Advantages

- Radius keeper, FaFix®, adjustable by 3 mm
- Voltage range
- Compatible with DIN 18250 mortise locks
- Compatible with ProFix® 2 strike plates
- Optimal latch ramps for gentle interaction with the latch bolt
- Symmetrical design. DIN left/right as well as horizontal applicable
- Bipolar diode

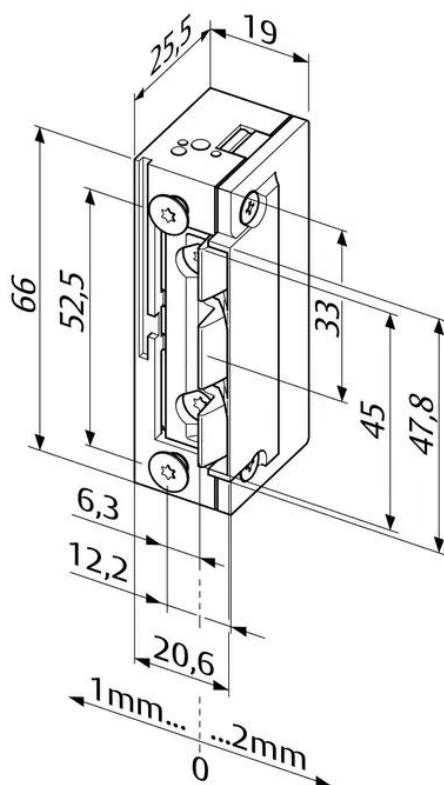
Scope of delivery

- 1 piece electric strike

Technical data

Dimensions Depth: 25.5 mm , Height: 66 mm , Width: 20.6 mm

Mounting	symmetrical
Installation position	universal
Configuration	Frame component
With fixing	No
With mechanical unlocking	No
With feedback signal	No
Opening direction according to DIN	left/right
Waterproof	No
Mounting method	Installation
Compatible with Apple HomeKit	No
Compatible with Google Assistant	No
Type of current	AC/DC
How they work	Fail-locked
Compatible with Amazon Alexa	No
IFTTT support available	No
Pulse contact	Yes
Adjustable keeper	Yes
Adjustable electric strike	No
Adjustable strike plate	No
Latch bolt guide integrated	Yes
For latch bolt slide	No
Unlocking type	Standard version
Permanent operation (100% power-on time)	Yes
Mechanical unlocking	No
Suitable for smoke protection door	Yes
Forend shape	without
With strike plate	No
Use category according to EN 14846	3
Endurance according to EN 14846	X
Mass of the door, closing force in accordance with EN 14846	5
Suitable for fire/smoke protection doors according to EN 14846	A
Environmental condition according to EN 14846 0	
Security – Burglary protection against entry in accordance with EN 14846	0
Protective effect of electrical function in accordance with EN 14846	0
Protection against electrical manipulation in accordance with EN 14846	3
VdS class	Class C
Max. latch preload AC	350 N
Min. preload AC	200 N
Max. latch preload DC	200 N



Min. preload DC	50 N
Latch adjustment range	3 mm
Load cycles for in-plant test	250000
Changeable connection	No
Protective diode	Yes
Noise reduction	No
Drill hole offset by 1 mm	No
Unlocking time	0.8 s
Latch version	Radius keeper
Voltage	10-24 V
Continuous duty	11-13 V
Version	Fire rated strike
Break-in resistance	9000 N
Operating temperature range	-15-40 °C
Certified in compliance with	EN 14846; VDS
Suitable for fire door	Yes
max. current consumption AC	500 mA
Max. current consumption DC	560 mA
Nominal resistance 12 V	43 Ohm
Clampable/ plug-in connection	No
Article number	118F.13-----A71
EAN	4042203414181