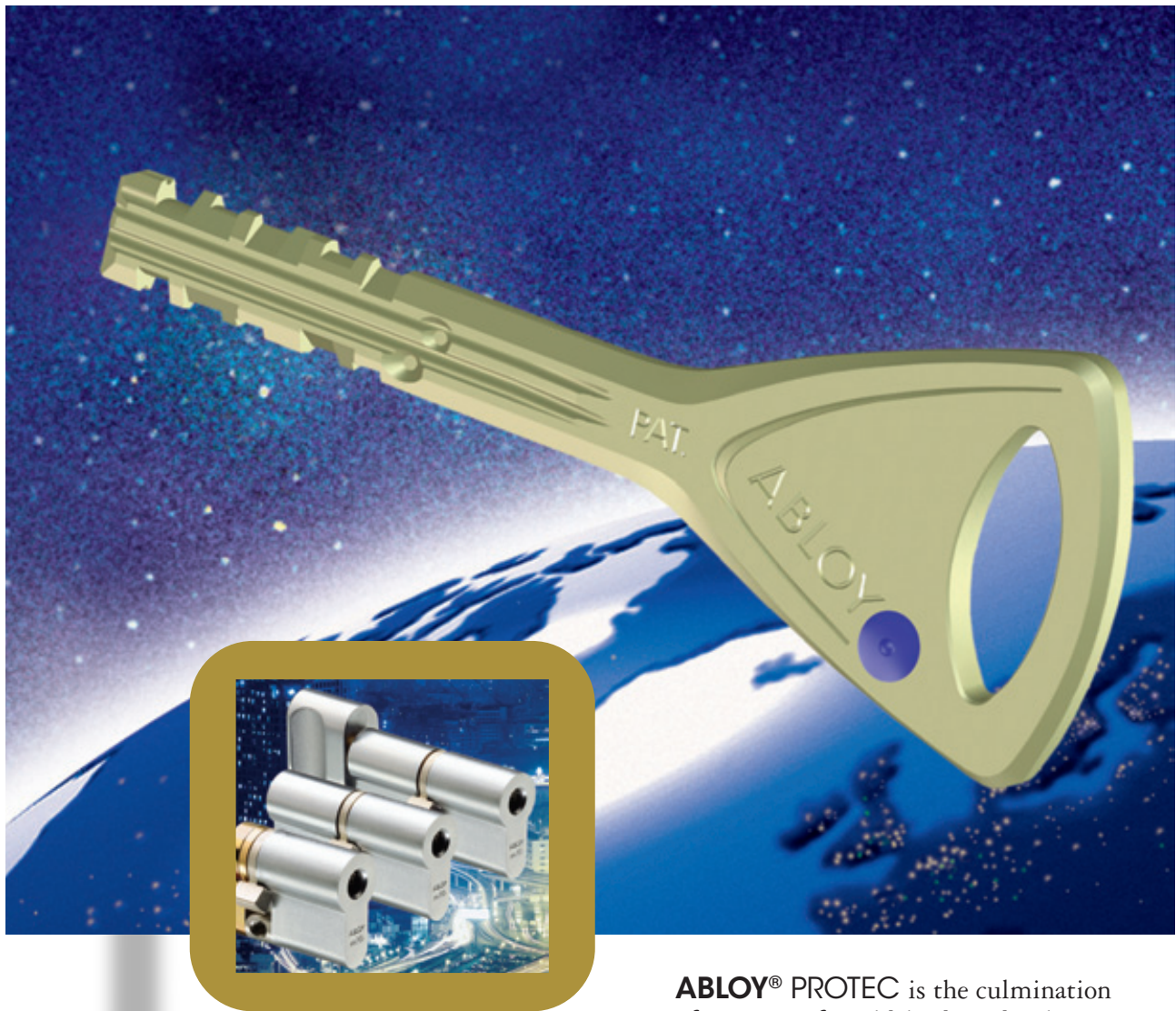


ABLOY® PROTEC

Europrofile DIN cylinders



ABLOY® PROTEC is the culmination of 90 years of world-leading development of the rotating disc cylinder.

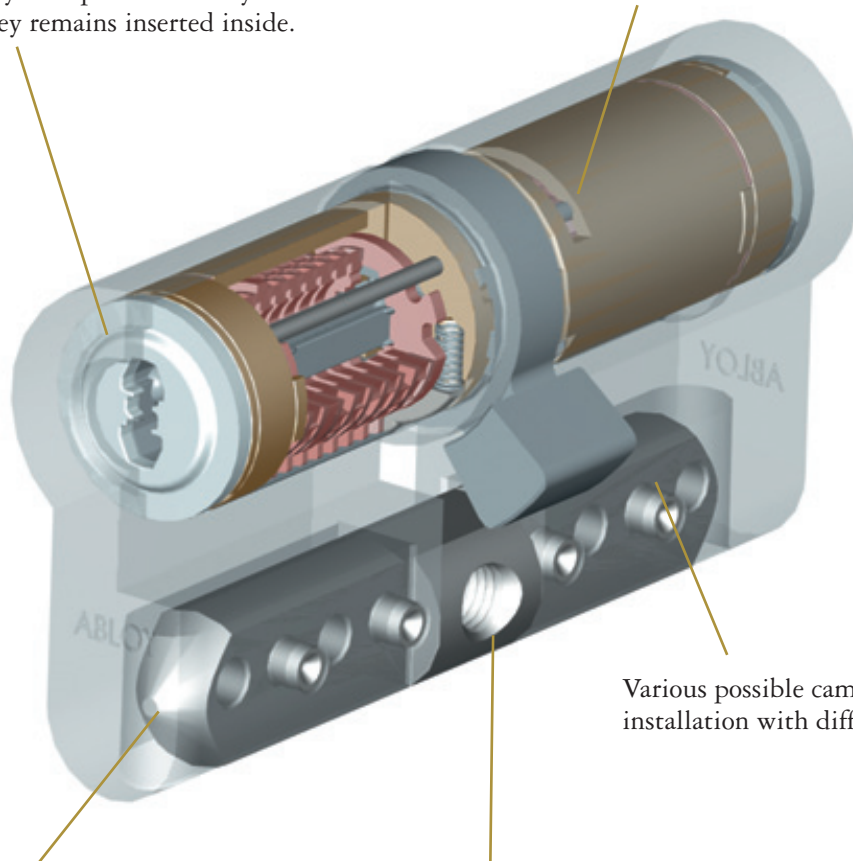
ABLOY® PROTEC Europrofile DIN cylinders

□ Excellent physical security features

□ Flexibility in installation

Emergency function as an option:
- the lock can always be opened with key from outside even if a key remains inserted inside.

Cylinder length easily adjustable even during the installation by extension piece system.



Available with case-hardened steel cylinder
- maximum burglary resistance
(EN 1303: 2005 grade 2).

Stainless steel connection bar.

Various possible cam positions to allow installation with different lock cases.

ALL THE SUPERIOR ADVANTAGES OF ABLOY® PROTEC KEY SYSTEM INCLUDED

□ widely patented 2R™ cylinder and key system:
key cuts on two radii

□ extreme picking resistance

□ proven wear resistance

□ unique DBS™ (disc blocking system)

□ convenient reversible key

□ ergonomically designed key with colour inserts

□ wide range of products that can be keyed into the same masterkey systems using one key profile



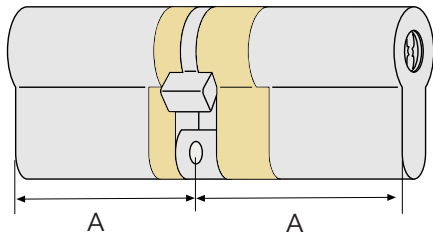
2R™ and DBS™ are registered trademarks of Abloy Oy

FLEXIBILITY IN INSTALLATION

Extension piece system

The modular extension piece system enables the easy adjustment of the cylinder length even during the installation.

Cylinder length is adjustable in 5 mm increments up to 50 mm extension and in 10 mm increments up to 100 mm extension.

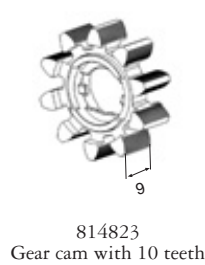
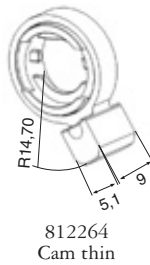
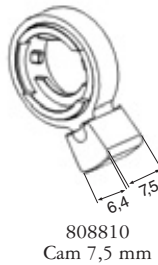
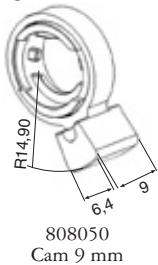


Cam Positions



Easily adjustable cam enable eight different cam positions to allow different lock case functions.

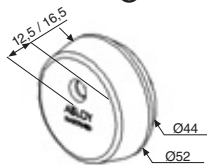
Cams



Security cylinder rings



CH101 for wooden doors



CH102 for narrow stile doors



ABLOY PROTEC

Europrofile DIN cylinders are used in lockcases conforming to DIN Standard 18251.

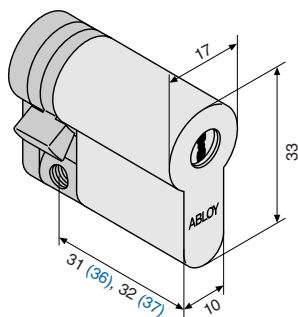
CONSTRUCTION

Cylinder housing	Brass
- in CY331, CY332, CY333, CY336, CY337 and CY338	outside cylinder housing of case-hardened steel
Cylinder plug	Brass
Thumbturn	Zinc
Discs and washers	Tin bronze
Number of discs	11

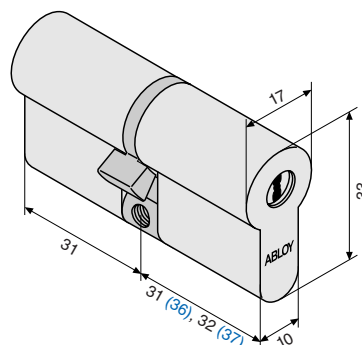
FINISHES AVAILABLE

Bright chrome, satin chrome
Bright brass, satin brass
Brushed nickel

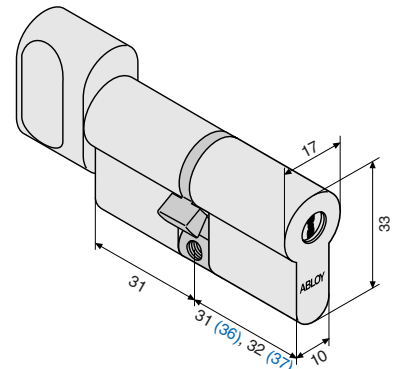
DIMENSIONS



Single cylinders
CY321N (31), CY331N (32)
CY326N (36), CY336N (37)



Double cylinders
CY322N (31), CY332N (32)
CY327N (36), CY337N (37)



Cylinders with thumbturn
CY323N (31), CY333N (32)
CY328N (36), CY338N (37)

ABLOY® – the sign for security



The quality and environmental systems used by Abloy Oy guarantee that customers can be certain of **ABLOY®** quality in every field. We received our first Quality System Certificate - SFS-EN ISO 9001 - in 1989. Just eight years later, Abloy Oy was one of the first companies in Finland to be granted an SFS-EN-ISO 14001 Environmental System Certificate.

In 2009 Abloy Oy received an OHSAS 18001 Occupational Health and Safety Assessment System Certificate.

Our products are designed and manufactured not only to provide high levels of security, but also to be reliable, user-friendly and aesthetically pleasing. **ABLOY®** is your sign for security.



ABLOY® is a registered trademark of Abloy Oy, one of the leading manufacturers of locks, locking systems and architectural hardware and the world's leading developer of products in the field of electromechanical lock technology.

The unique **ABLOY®** detainer disc cylinder mechanism has several advantages over conventional locking mechanisms. Ever since its invention in 1907, it has been a symbol of high security and superior performance.

Our range consists of electromechanical locks, cam locks, padlocks, office furniture locks, rim locks, lock cases, cylinders for different types of mortice locks, door closers, door automatics and architectural hardware. **ABLOY®** locking solutions for every application are available from our world-wide network of distributors.

Customer-oriented development, combined with our long experience and extensive security expertise, mean that **ABLOY®** security solutions employ the very latest technology to meet your needs.



www.abloy.com

Abloy Oy
Wahlforssinkatu 20
P.O.Box 108
FI-80101 JOENSUU
FINLAND
Tel. +358 20 599 2501
Fax +358 20 599 2209

